

# CUP-30

## CENTRIFUGE UTILITY PLATFORM

### Closed-Loop Alcohol Extraction System

The CUP-30 is our large capacity centrifuge system that uses programmable sequences to target and extract your desired compounds from botanical biomasses. Utilizing closed-loop technology the CUP-30 has a runtime of 15-20 minutes and a throughput of approximately 600 lbs per 8-hour work day, ensuring the easy delivery of high-purity extractions.



**98%** Botanical Compound  
Removal



**97%** Alcohol Removal



**-40°C** Low Temperature  
Rating



#### Dimensions

CUP-30: w/o Auxiliary Components  
(49" L x 27.5" W x 58.5" H)

#### Electrical Requirements

230v Three-Phase,  
Full-Load Amperage (FLA): 15

- Closed-Loop System
- 3rd Party Engineer Reviewed
- UL Listed US/Canada
- 304 & 316L Sanitary Stainless Steel
- Vacuum Jacket Insulation
- Easy Material Loading/Unloading
- Bi-Directional Agitation
- Variable Speed Control
- Heavy-Duty Spin Drying
- 6 Month Parts/Labor Warranty
- Technical Support
- Made in USA



# CUP-30




CENTRIFUGE UTILITY PLATFORM



DELTA  
SEPARATIONS

Call Us: (707) 222-6066

sales@deltaseparations.com

-  **25-30 lbs** | Plant material per batch (depending on mill size)
-  **15-20 min** | Average Run Time (depending on SOP)
-  **25-30 gal.** | Alcohol Requirement Per Run (wash tincture can be used twice)



## Standard Features

### Vessel

- (1) Alcohol Feed Port: 1.5" Sanitary Triclam Fittings
- (1) 1.5" Tri-clamp; Remote Discharge Vent and Pressure Relief Port
- 2" Tri-Clamp Angled Drain
- Liquid/Vapor Tight (No Pressure) Vessel with EPDM Lid Seal

### Dimensions

- CUP-30: w/o Auxiliary Components (49" L x 27.5" W x 58.5" H)
- Weight: 890 lbs / 404 kg
- Main Control Panel: (24" L x 32" W x 54" H)

### Controls

- Industrial HazLoc Control Panel
- Touchscreen HMI
- 20ft Tethered Control Panel (Installed Outside of HazLoc)
- Emergency Stop
- Variable Frequency Drive: 0-1500 RPM

### Electrical

- 230V, 15 amp, Three-Phase
- 5HP Motor
- UL-NEMA L15-30 Plug

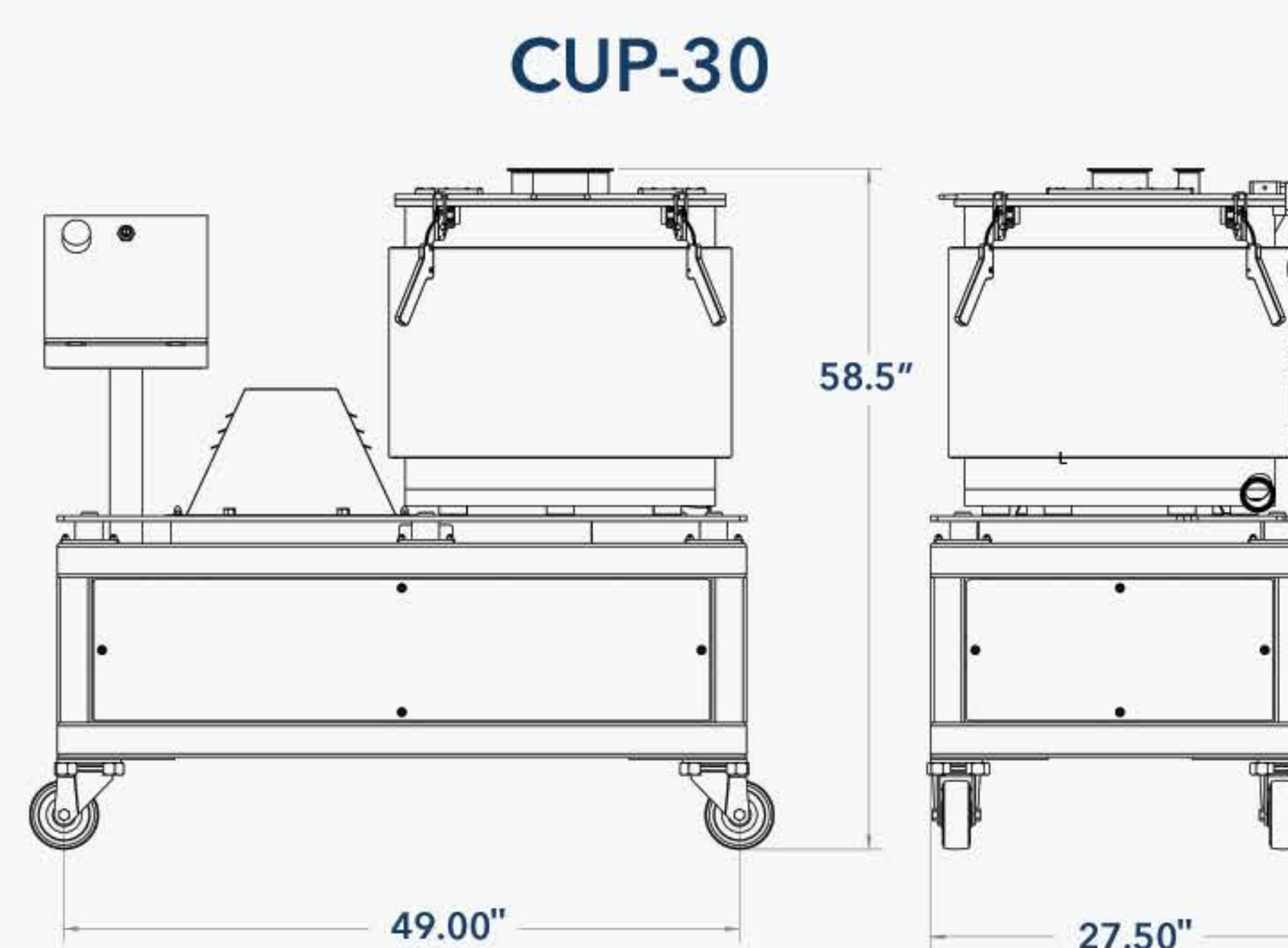
### Included Ancillary Equipment

(1) 30 Gallon Jacketed Stainless Steel Discharge Vessel

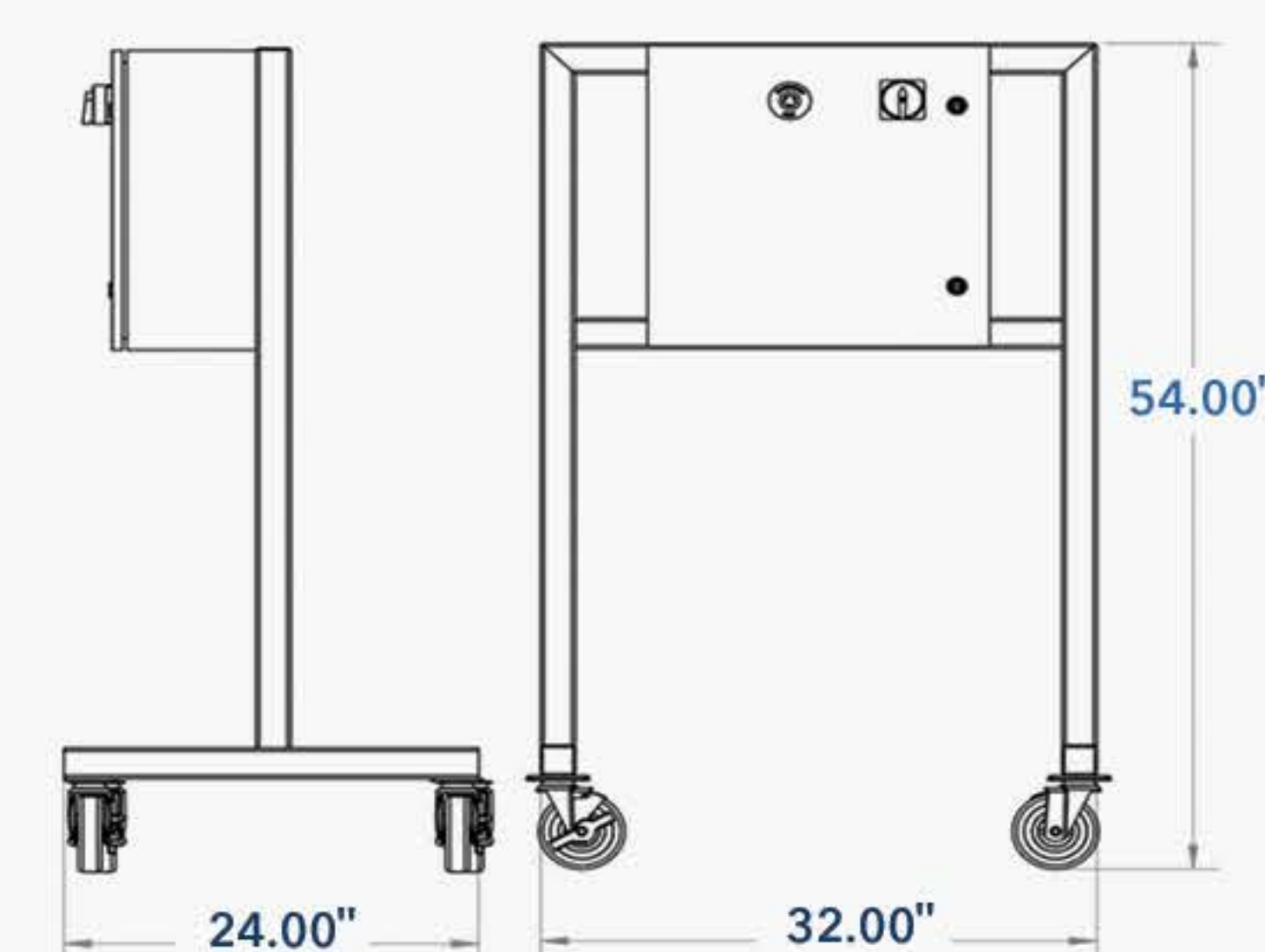
- Dimensions 30"L x 30"W x 24"H
- Weight x 114 lbs / 52 kg

(1) Barrier Fluid Reservoir

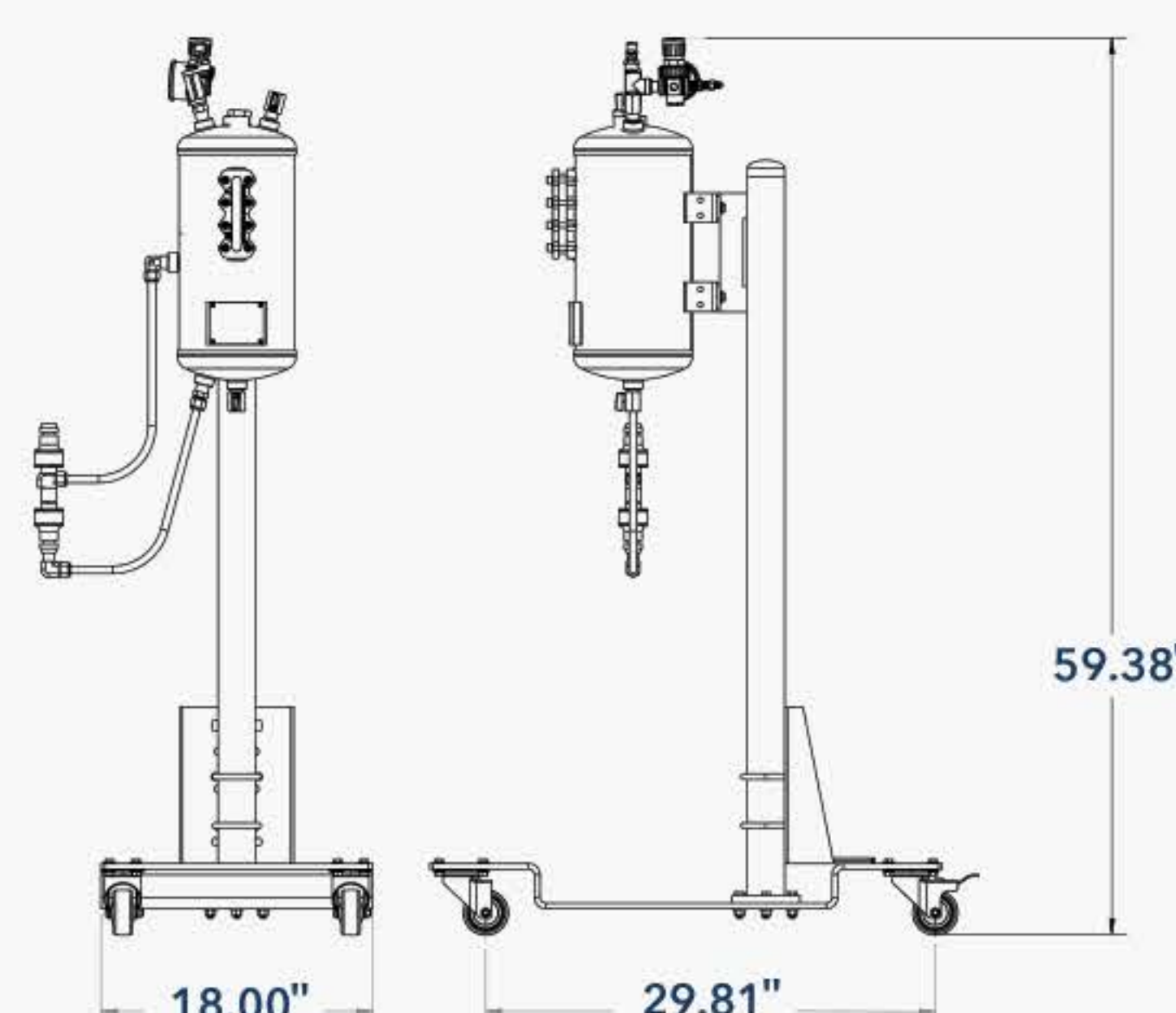
- Dimensions - 39"L x 18"W x 56"H
- Weight x 113 lbs / 51 kg



Main Control Panel



Barrier Fluid Reservoir



Discharge Vessel

